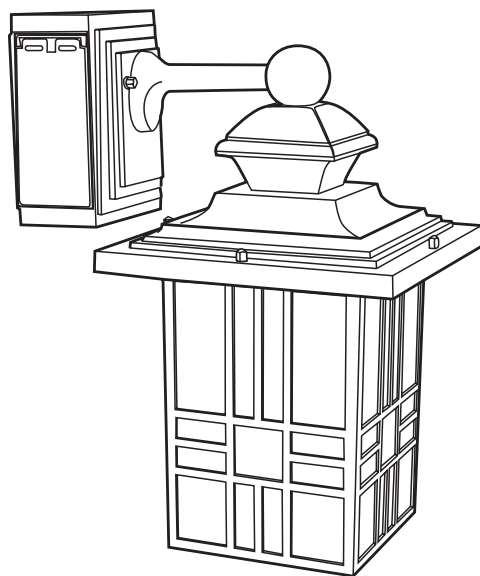

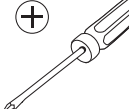





WALL LANTERN with integrated GFCI outlet

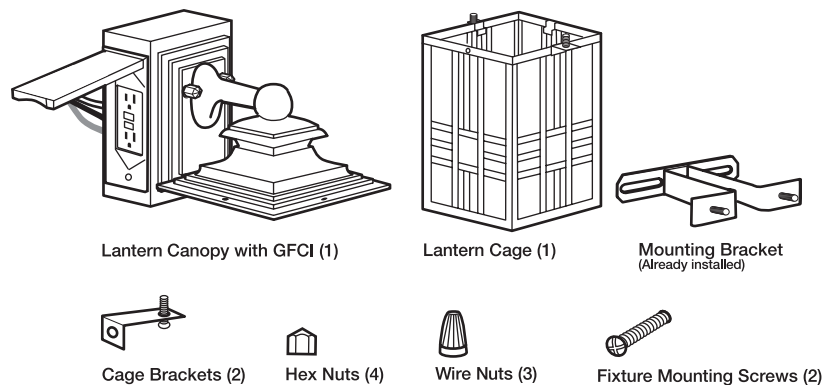


MODEL # 30812002
ITEM # 15731

SPECIFICATIONS	TOOLS REQUIRED (NOT INCLUDED)
Dimensions: 24.1 cm (9.5 in) L 35.5 cm (14 in) D 41.9 cm (16.5 in) H Electrical Requirements: 120V, 60HZ MAX 14 AMPS	 Safety Goggles  #2 Phillips Screwdriver  Pliers

PARTS

Remove fixture and mounting package from box and make sure that parts are not missing.* (Parts are not to scale.)



* The OUTLET BOX is not provided. To install this fixture a standard OUTLET BOX needs to be pre-installed in the wall at the desired mounting location. Power supply wires need to be run to the OUTLET BOX providing 120V of power. If an OUTLET BOX does not exist, contact a qualified electrician to have one installed.

PLEASE READ ALL INSTRUCTIONS BEFORE ASSEMBLING AND USING YOUR NEW OUTDOOR WALL LANTERN.

Thank you for purchasing this Sunbeam® Wall Lantern with integrated GFCI.

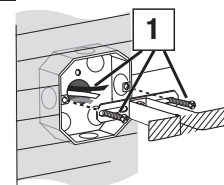
SAVE THESE INSTRUCTIONS

ASSEMBLY AND INSTALLATION

DISCONNECT POWER AT CIRCUIT BREAKER.

1 Pull the power supply wires out from the OUTLET BOX, and attach the MOUNTING BRACKET to the OUTLET BOX, using the BRACKET MOUNTING SCREWS. (FIG. 1)

FIG. 1



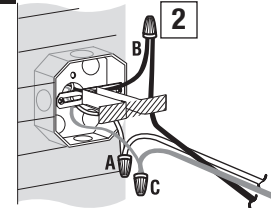
2 Make the wire connections using the WIRE NUTS. (FIG. 2)

A - WHITE (neutral) SUPPLY WIRE to WHITE FIXTURE WIRE

B - BLACK (hot) SUPPLY WIRE to BLACK FIXTURE WIRE

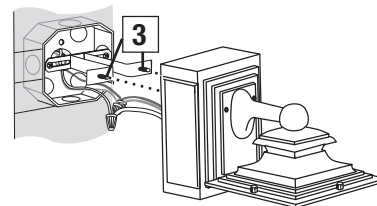
C - SUPPLY GROUND WIRE to FIXTURE GROUND WIRE

FIG. 2



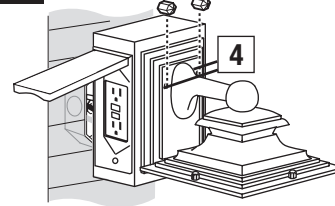
3 Install the lantern to the outlet box by aligning the holes on the canopy to the screws on the MOUNTING BRACKET arm. (FIG. 3)

FIG. 3



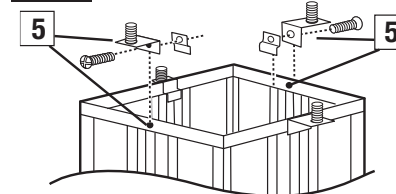
4 Secure in place the already assembled HEX NUTS and washers. (FIG. 4)

FIG. 4



5 Remove bolts from CAGE, install CAGE BRACKETS onto CAGE and tighten bolts properly. (FIG. 5)

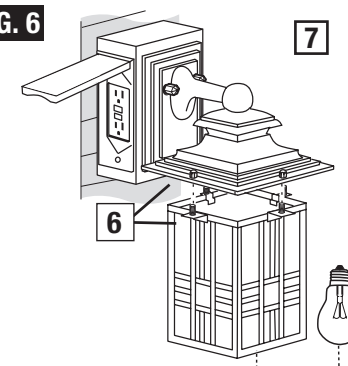
FIG. 5



6 Attach the CAGE to the LANTERN CANOPY with 4 HEX NUTS provided (FIG. 6)

7 Install light bulb. Do not exceed the specified wattage. (100W max.)

FIG. 6



8 RESTORE POWER AT THE CIRCUIT BREAKER. Turn on the wall switch.

PRODUCT MAINTENANCE

To clean the fixture, disconnect the power to the fixture by turning off the circuit breaker or removing the fuse box. Wait for a few minutes for the fixture to cool down. Use a dry or slightly dampened clean cloth (use clean water, never a solvent) to wipe the glass and surface of the fixture.

Do not use any cleaners with chemicals, solvents or harsh abrasives. If necessary, use a mild soap to clean any dirt or stains.

TROUBLE SHOOTING

Please try the solutions below before contacting our customer service or returning product to store.

SYMPTOM	POSSIBLE CAUSE	SOLUTION
Light is not on at all.	Wall switch and/or circuit breaker is off.	Turn on wall switch and/or circuit breaker.
	Incorrect or loose wire connection.	Access outlet box and fix wire connections.
Fuse blows or circuit breaker trips when light is turned on.	Crossed wires or power wire is grounding out.	Access outlet box and fix wire connections.

WARNING

CONSULT A QUALIFIED ELECTRICIAN TO ENSURE CORRECT BRANCH CIRCUIT CONDUCTOR. BEFORE PROCEEDING WITH THE INSTALLATION, TO AVOID POSSIBLE SHOCKS OR INJURIES, MAKE SURE THE POWER IS TURNED OFF AT THE SWITCH AND THE BREAKER PANEL OR FUSE PANEL. THIS PRODUCT MUST BE INSTALLED IN ACCORDANCE WITH THE APPLICABLE INSTALLATION CODE BY A PERSON FAMILIAR WITH THE CONSTRUCTION AND OPERATION OF THE PRODUCT AND THE HAZARDS INVOLVED.

IN ORDER TO AVOID WATER ACCUMULATION, DO NOT REVERSE THE DIRECTION OF THE CAGE AS SHOWN IN FIGURE 6.

IMPORTANT NOTICE

IN ORDER TO AVOID THE RISK OF ELECTRIC LEAKAGE BY WATER GOING INTO THE FIXTURE, THE RUBBER GASKET MUST BE INSTALLED WITH THE NUTS WHILE TIGHTENING THE SCREWS.

CAUTION

USED FOR OUTDOOR AND WALL MOUNT ONLY.

WITH SILICONE CAULKING COMPOUND, CAULK COMPLETELY AROUND WHERE BACK CANOPY MEETS THE WALL SURFACE TO PREVENT WATER FROM SEEPING INTO THE OUTLET BOX.

If you encounter any problems, please do not return to the store.
Please contact our customer service toll free line at
1-877-383-6399 (8:30 am – 17:30 pm E.S.T.) Monday - Friday

LIMITED WARRANTY: This product is guaranteed to operate a minimum of 1 year from the original date of purchase. If, under normal use and for the full time period, your product fails to operate, please return it to: Quality Control Dept., L'Image Home Products Inc., 1175 Place du Frère-André, Montreal, Quebec, Canada H3B 3X9 (with your original proof of purchase receipt) and we will refund it. This warranty is considered void if the product fails from misuse.

© 2015 Sunbeam Products, Inc. doing business as Jarden Consumer Solutions. All rights reserved. SUNBEAM® logo is a registered trademark of Sunbeam Products, Inc. used under license. Distributed by L'Image Home Products Inc., Montreal, Canada H3B 3X9. LHP829-072415

To download this instruction manual, visit the product page on our website:
www.limagehomeproducts.ca

