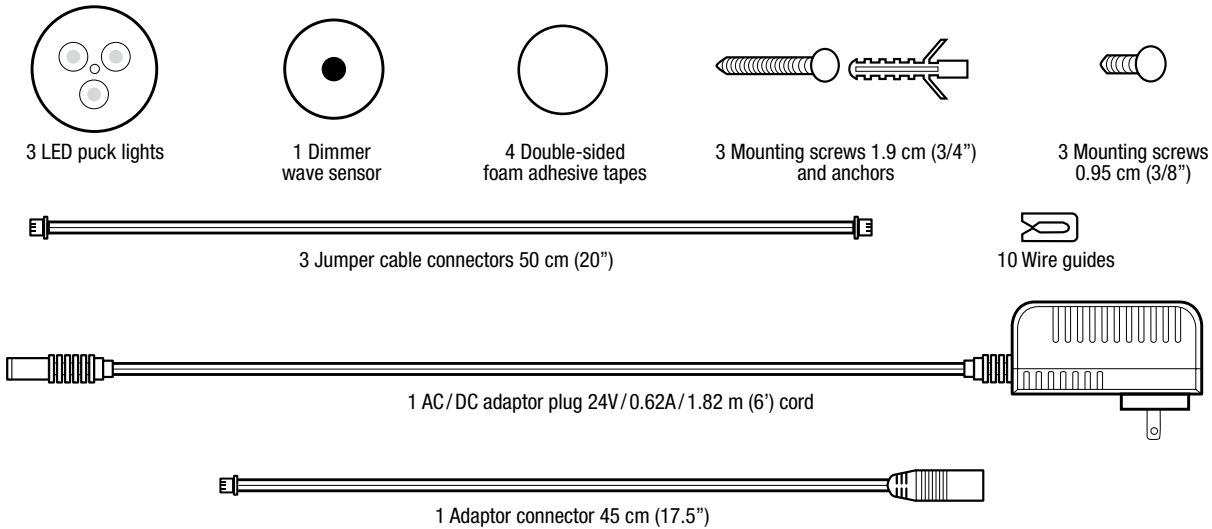


Thank you for purchasing this Sunbeam® Dimmable Ultra Slim LED Under Cabinet Puck Light Kit

Please read all instructions before assembling and using your new cabinet light fixture.

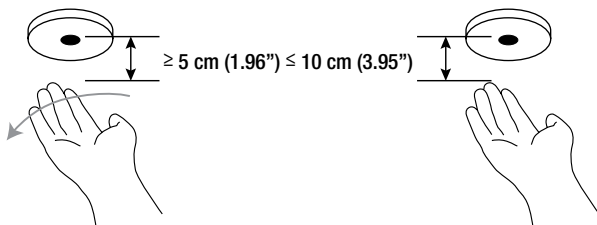
IMPORTANT: FOR INDOOR AND DRY LOCATION USE ONLY. ADHESIVE TAPE MAY DAMAGE SURFACE IF REMOVED.

PARTS



DIMMER WAVE DETECTION SENSOR

Operation wave sensing range



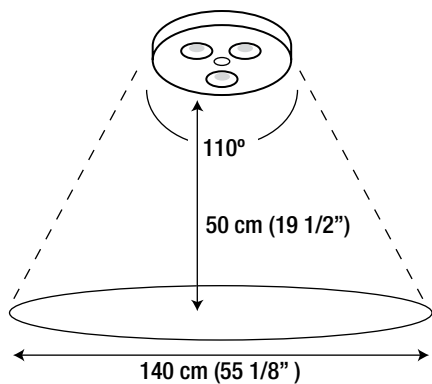
Wave hand once below the sensor to turn ON the LED puck light.

Wave again below the sensor to turn OFF the LED puck light.

After the puck light is turned ON, you can dim the light by holding your hand under the sensor until the desired light brightness is attained. Then lower your hand out of the sensing range to stop dimming cycle.

NOTE: Dimming cycle will continuously dim from low to full brightness until your hand is away from the sensor detection range.

LIGHT BEAM SPREAD



IMPORTANT SAFETY INSTRUCTIONS

CAUTION TO REDUCE THE RISK OF FIRE, ELECTRIC SHOCK OR INJURY TO PERSONS:

1. Use only insulated staples or plastic ties to secure cords.
2. Route and secure cords so that they will not be pinched or damaged when the cabinet is pushed to the wall.
3. Position the portable cabinet light with respect to the cabinet so the lamp replacement markings are able to read during re-lamping.
4. Not intended for recessed installation in ceiling, soffits.
5. The National Electrical Code (NEC) does not permit cords to be concealed where damage to insulation may go unnoticed. To prevent fire danger, do not run cord behind walls, ceilings, soffits or cabinets where it may be inaccessible for examinations, cords should be examined periodically and immediately replaced when any damaged is noted.

The low voltage portable cabinet light may be installed inside or under a kitchen cabinet or other built-in furniture when:

- A) The low voltage Class 2 power supply is located outside the cabinet and is not concealed; and
- B) The line voltage power supply cord is not concealed or run through openings in the cabinet, walls, ceilings, or floors. This requirement does not apply to the wiring between the cabinet light and the power unit.

This device complies with Part 15 of the FCC Rules. Operation is subject to the following two conditions: (1) this device may not cause harmful interference, and (2) this device must accept any interference received, including interference that may cause undesired operation.

WARNING: Changes or modifications to this unit not expressly approved by the party responsible for compliance could void the user's authority to operate the equipment.

NOTE: This equipment has been tested and found to comply with the limits for a Class B digital device, pursuant to Part 15 of the FCC Rules. These limits are designed to provide reasonable protection against harmful interference in a residential installation. This equipment generates, uses and can radiate radio frequency energy and, if not installed and used in accordance with the instructions, may cause harmful interference to radio communications. However, there is no guarantee that interference will not occur in a particular installation. If this equipment does cause harmful interference to radio or television reception, which can be determined by turning the equipment off and on, the user is encouraged to try to correct the interference by one or more of the following measures:

- Reorient or relocate the receiving antenna.
- Increase the separation between the equipment and receiver.
- Connect the equipment into an outlet on a circuit different from that to which the receiver is connected.
- Consult the dealer or an experienced radio/TV technician for help.

SAVE THESE INSTRUCTIONS

INSTALLATION

Before installation, make sure the surface you intend to mount the product on is free of moisture, oil, grease, dust and dirt to ensure proper adhesion. Test painted surfaces. Adhesive tape may damage surface when removing.

STEP 1

There are 3 ways to mount the fixture.

A. Double-sided foam adhesive tape: Mark the desired area where you want to install. Remove one side of the tape and secure to the LED puck light. Then remove the other side of the tape and secure to where you want to install (FIG. 1). Continue to step 2.

B. Brick wall surface self-tapping screw: Place the LED puck lights over the desired mounting location and mark the centre of the holes to be drilled. Drill two pilot holes 4.5-5 mm (3/16") diameter into the surface (FIG. 2). Insert the anchors (FIG. 3). Place the puck lights over the holes and screw in the self-tapping screws 19 mm (3/4") to secure (FIG. 4). Continue to step 2.

C. Wood surface self-tapping screw: Place the puck lights over the desired mounting location and mark the centre of the holes to be drilled. Then place the LED puck lights over the marks and screw in the self-tapping screw 0.95 cm (3/8") to secure.

STEP 2

Remove one side of the double-sided tape and secure it to the sensor (FIG. 5).

STEP 3

Connect the puck lights to each other using the jumper cable connectors. Then connect the wave sensor to the desired location (FIG. 6).

STEP 4

Connect the plug-in adaptor connector (A) to the puck light or sensor. Then connect the AC/DC plug-in adaptor connector jack end (B) to the adaptor connector round socket end (FIG. 7).

STEP 5

Affix self-adhesive wire guides to desired locations as needed to guide and secure jumper cables and AC/DC plug-in adaptor cord.

STEP 6

Plug the AC/DC plug-in adaptor into the power outlet. The LED puck lights are ready to be used.

NOTE: Upto 4 pucks can be connected with 24V/0.62A adaptor provided in this package.

FIG. 1

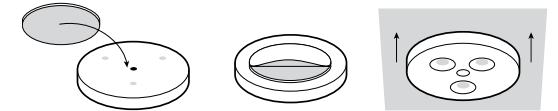


FIG. 2

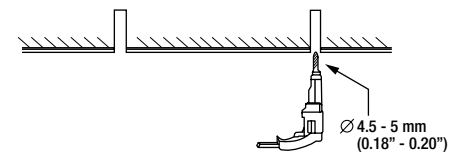


FIG. 3

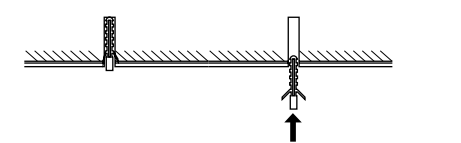


FIG. 4

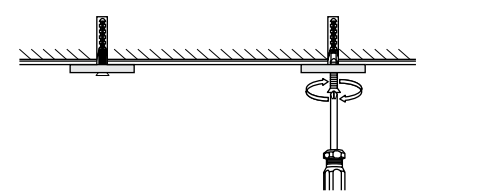


FIG. 5

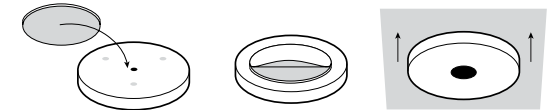


FIG. 6

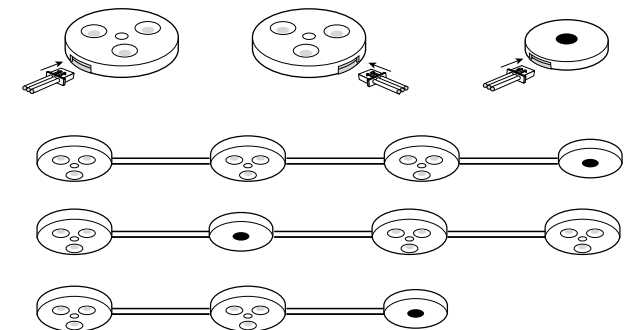
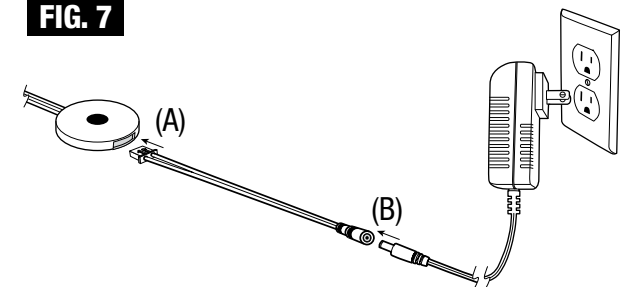


FIG. 7



IF YOU HAVE ANY PROBLEMS, PLEASE DO NOT CONTACT THE STORE. CONTACT OUR CUSTOMER SERVICE AT 1-877-383-6399 (8:30 am - 5:30 pm E.S.T.).

LIMITED WARRANTY This product is guaranteed to operate a minimum of 1 year from the original date of purchase. If, under normal use and for the full time period, your product fails to operate, please return it to: Quality Control Dept., L'Image Home Products, Inc., 1175 Place du Frère-André, Montreal, Quebec, Canada H3B 3X9 (with your original proof of purchase receipt) and we will refund it. This warranty is considered void if the product fails from misuse.

© 2015 Sunbeam Products, Inc. doing business as Jarden Consumer Solutions. All rights reserved. SUNBEAM® is a registered trademark of Sunbeam Products, Inc. used under license. Distributed by L'Image Home Products Inc., Montreal, Canada H3B 3X9. LHP975-082415

To download this instruction manual, visit the product page on our website: www.limagehomeproducts.ca